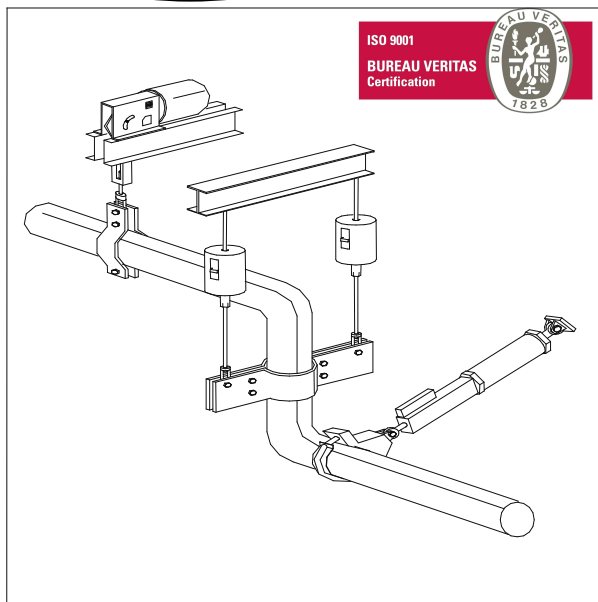




Costruzione, montaggio, manutenzione supporti elastici e stress analisi pipe spring hangers manufacturing, erection and stress analysis

Uffici e Stabilimento (Head Office): 71034 Castelnuovo della Daunia (FG) – C.da Ariella, s.n.
Tel. +39 0881 559 (676) – (477) fax +39 0881 559 666
E-mail: ncd@misterpro.it
Reg. Soc. Trib. Lucera N. 1773 – CCIAA: FG 137175
Cap. Soc. € 206.000,00 i.v. – CF/PI: 01510640715



Spett.le (Messrs)	Farakaran Tajhiz Kala (FTK Co.)
Attenzione (Attention)	Mr. Reza Nazarimehr
Ns. rif. (Our ref.)	-
Vs. rif. (Your ref.)	-
Vs. fax (Your fax nr.)	+98 21 440 57 164
Vs. telefono (Your tel. nr.)	+98 21 440 68 047
Data (Date)	08/09/14
Numero fogli (Nr. of sheets)	1 Questo incluso (including this one)

I SUPPORTI E GLI ACCESSORI SONO SEMPRE FORNITI IN ACCORDO AL NS. STANDARD; EVENTUALI ECCEZIONI VENGONO CHIARAMENTE EVIDENZIATE.
PIPE SUPPORTS AND ACCESSORIES ARE ALWAYS SUPPLIED ACCORDING TO OUR STANDARD; EXCEPTIONS, IF ANY, ARE EXPLICITLY PUT IN EVIDENCE.

OGGETTO: Letter of exclusive agency
(SUBJECT):

Dear Sirs,

The aim of this letter is to appoint you:

Farakaran Tajhiz Kala (FTK Co.)
401, 4th floor, NeginReza Tower
14th Golestan Avenue
Ashrafi Esfahani Highway
Teheran - IRAN

As our exclusive agent to sell our company's products inside the territory of IRAN.

We fully support Farakaran Tajhiz Kala (FTK Co.) during the quotation stage, order processing, order expediting and material delivery.

Expiry date of exclusive agency agreement: 08/09/2016

Sincerely
Managing Director
Mrs. De Cristofaro Rosina